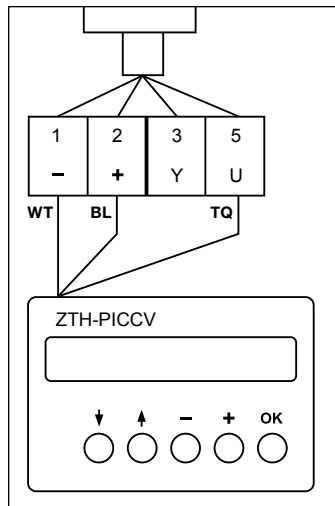


ZTH-PICCV

The ZTH-PICCV is a tool created to easily adapt the flow settings for the PICCV in the field. It directly connects to the Belimo actuator.

**IMPORTANT:**

There are two ways to connect the tool to the actuators

**LR, AR, GM Series**

Use the interface on the top of the actuator. (Leave all of the wires of the actuator installed.)

TF, LF, AF Series

Connect to the installed wires of the actuator. (Leave all of the wires of the actuator installed.)

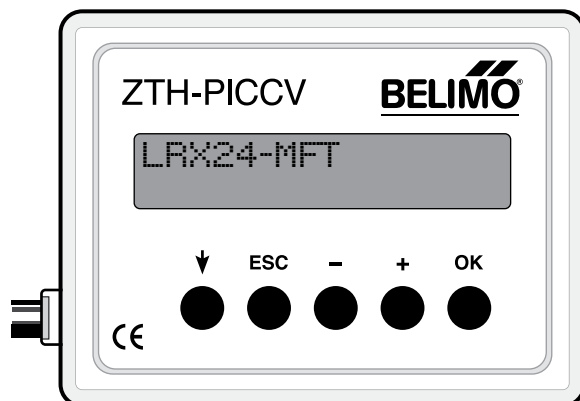
**Technical Information**

Supply	24 VAC/DC
Communication	PP
Used with actuator types	LRX24-MFT TF24-MFT US LF24-MFT US ARX24-MFT AF24-MFT GMX24-MFT

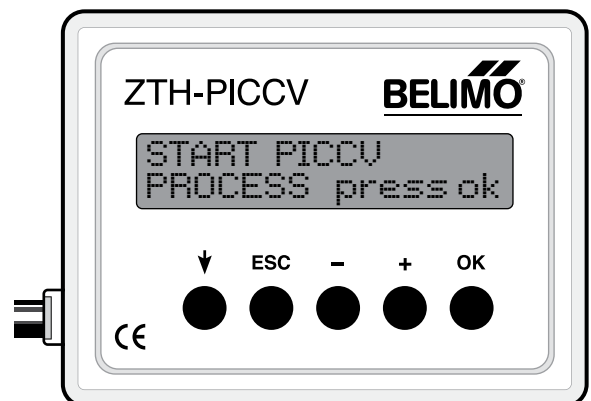
RE-PROGRAMMING PROCESS:

Step 1

Connect cable to actuator port, twist to lock in place (or wire as above). Will display actuator for 5 seconds – note this and compare to actuator being connected.

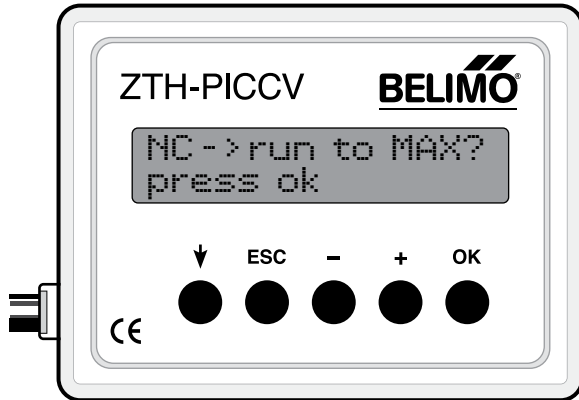
**Step 2**

Start PICCV PROCESS press OK will be displayed. Press OK.



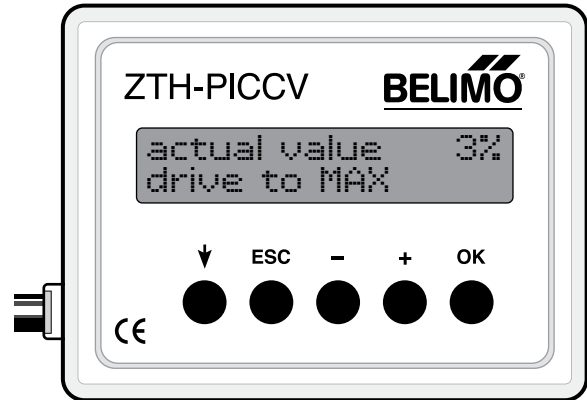
Step 3

NC (or NO) – run to MAX? Press OK will be displayed. Press OK.
NOTE: if you need to change the NO/NC action for the actuator, then you must use the PC tool. Changing the switch will not accomplish this. Do not change the Y1/Y2 switch.



Step 4

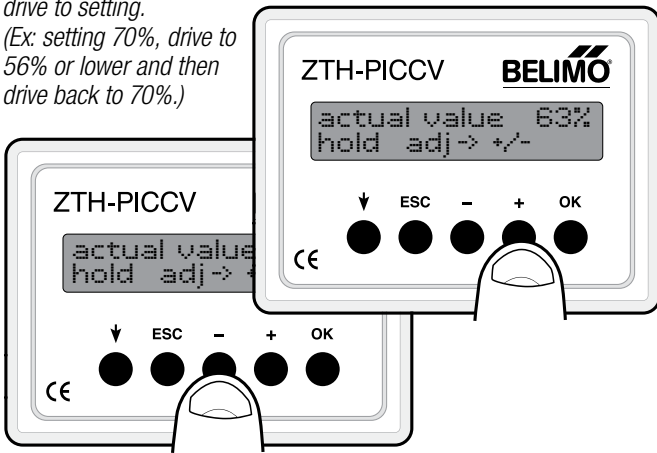
Actuator will drive to current setting (MAX for NC, MIN for NO). When it stops, adjust using + and – buttons. As it is running, it will show actual value as the actuator moves.



Step 5

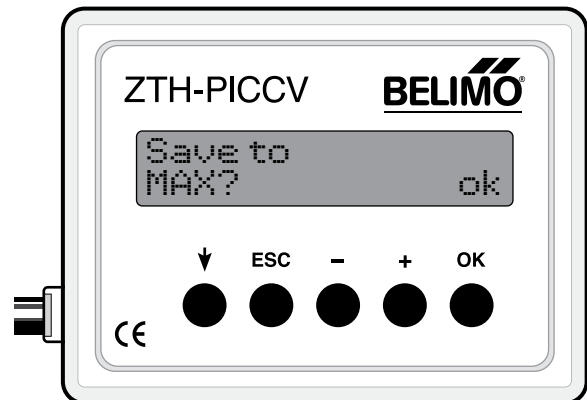
HOLD DOWN the – or + button down to adjust setting. If you disengage the button, then the word “stop” appears and will change to “hold”. When setting is changed as needed, press OK.
To re-test flow, drive actuator to 80% of current setting and then re-drive to setting.

(Ex: setting 70%, drive to 56% or lower and then drive back to 70%.)



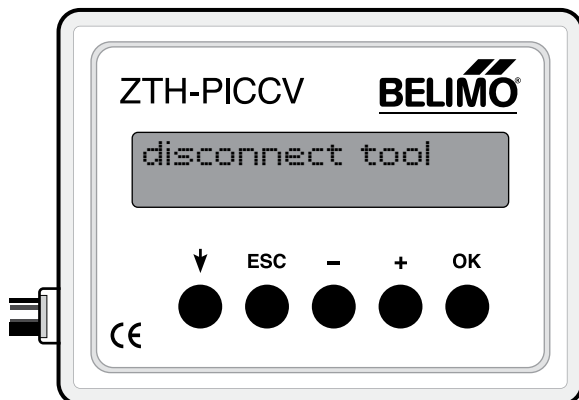
Step 6

Display will state – **SAVE to MAX** (if NC) or **SAVE to MIN** (if NO). Press OK.



Step 7

Disconnect tool by twisting and re-cover connection port (or un-wire actuator). You do not need to wait until actuator stops running to disconnect.



Advanced Mode

- Enter the configuration menu by pressing “OK” (hold button) while connecting the ZTH-PICCV to the actuator.
- Step through with arrow key to “Advanced Mode” menu
- Change mode from 0 to 1
- Unplug the ZTH-PICCV
- With advanced mode, change runtime, control signal (2-10 VDC, 0-10 VDC).