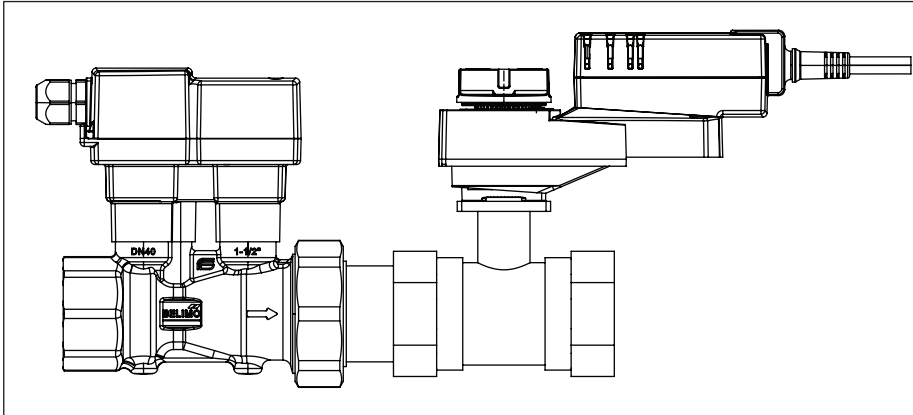
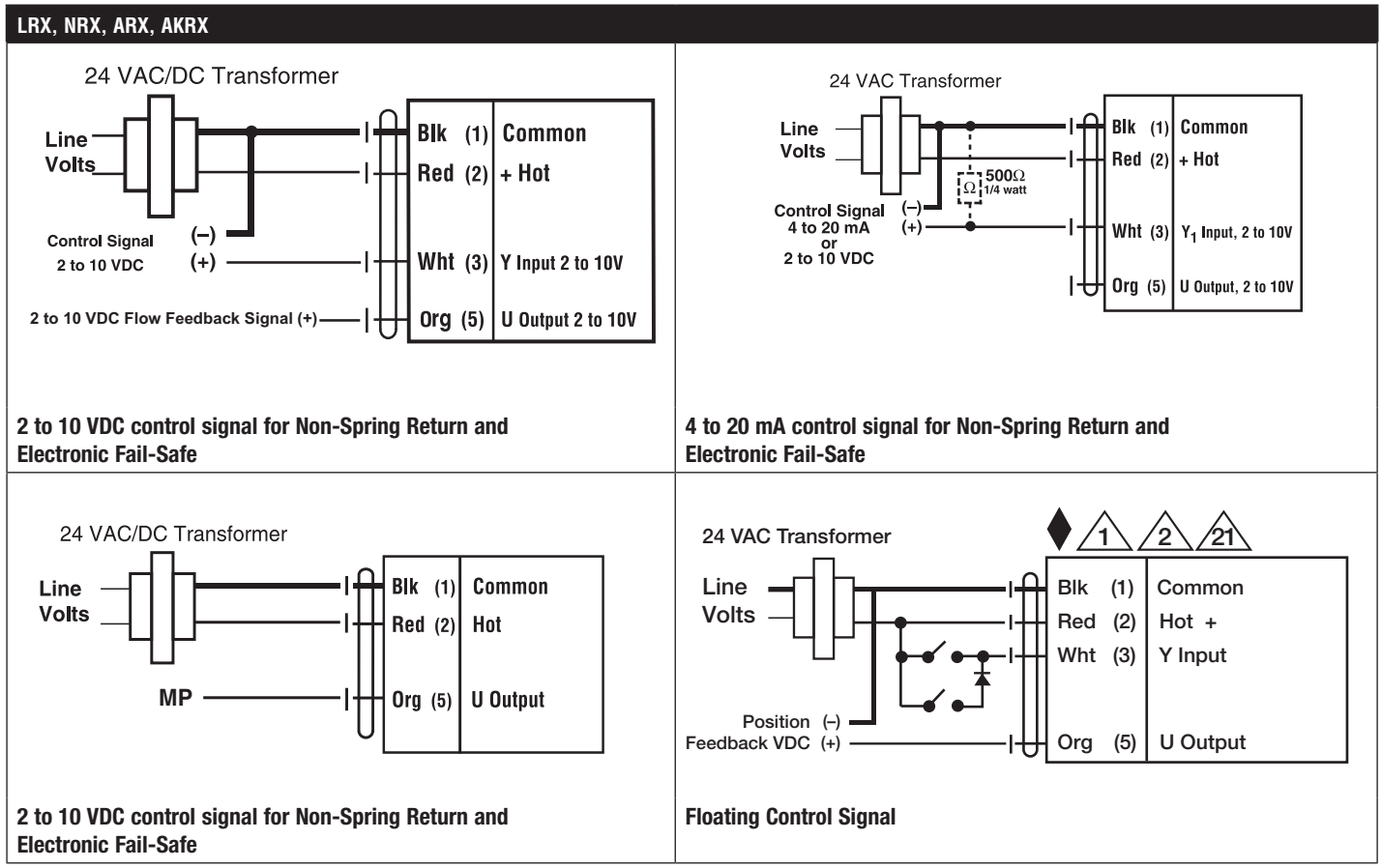


LRX, NRX, ARX, AKRX Actuators with Electronic Pressure Independent Valves (ePIV)



WIRING DIAGRAM



BLK	RED	WHT	ORG
Black	Red	White	Orange
Negro	Rojo	Blanco	Anaranjado
Noir	Rouge	Blanc	Orange
Preto	Vermelho	Branco	Alaranjado

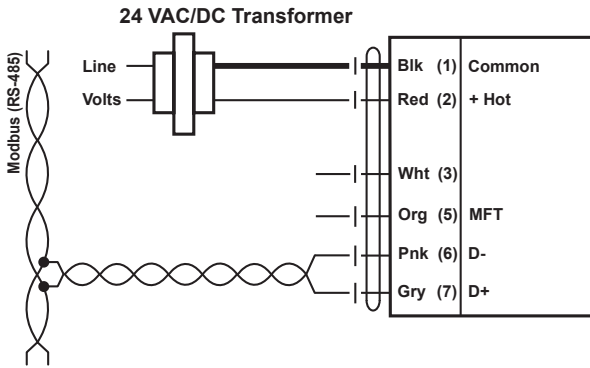
- 1 Provide overload protection and disconnect as required.
- 2 **CAUTION Equipment damage!**
Actuators may be connected in parallel.
Power consumption and input impedance must be observed.
- 21 IN4004 or IN4007 diode required.
- ◆ Meets UL requirements without the need of an electrical ground connection.

Subject to change. © Belimo Aircontrols (USA), Inc.

LRX, NRX, ARX Modbus Actuators with Electronic Pressure Independent Valves (ePIV)

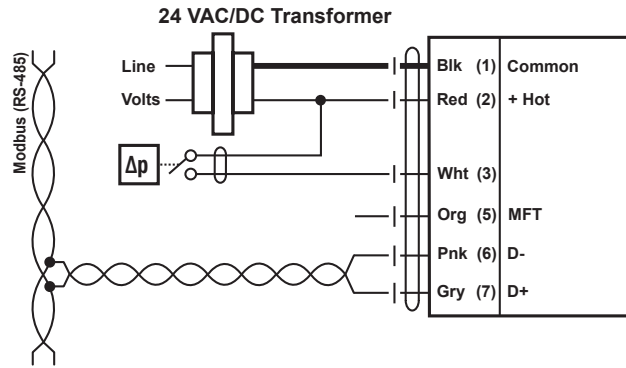
WIRING DIAGRAM

Modbus Actuators - LRX, NRX, ARX



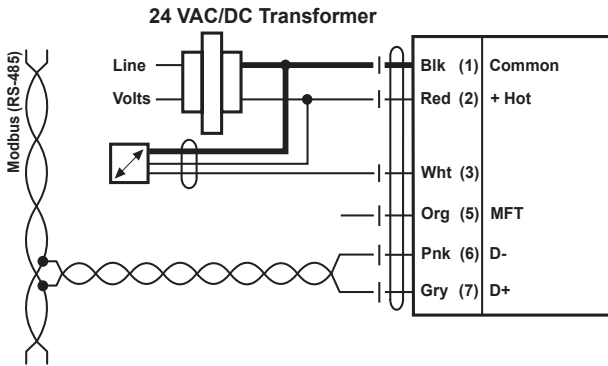
Modbus control for Non-Spring Return

Note:
 Modbus signal assignment: Power supply and communication are not galvanically isolated.
 C₁ = D- = A
 C₂ = D+ = B
 Interconnect ground signal of the devices.



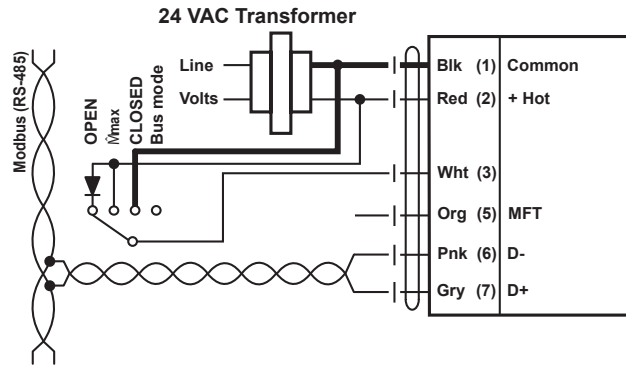
Modbus control with switching contact for Non-Spring Return

Requirements for switching contact:
 The switching contact must be able to accurately switch a current of 16 mA at 24 V.



Modbus control with active sensor for Non-Spring Return

Possible input voltage range:
 0...32 V (resolution 30 mV)



Modbus control with local override (AC only, analogue override) for Non-Spring Return

Note:
 If no sensor is integrated, then connection 3 (Y) is available for the protective circuit of a local override control. Options: CLOSED, Vmax, OPEN

BLK	RED	WHT	ORG	PNK	GRY
Black	Red	White	Orange	Pink	Gray
Negro	Rojo	Blanco	Anaranjado	Rosado	Gris
Noir	Rouge	Blanc	Orange	Rosa	Gris
Preto	Vermelho	Branco	Alaranjado	Cor-de ros	Cinza